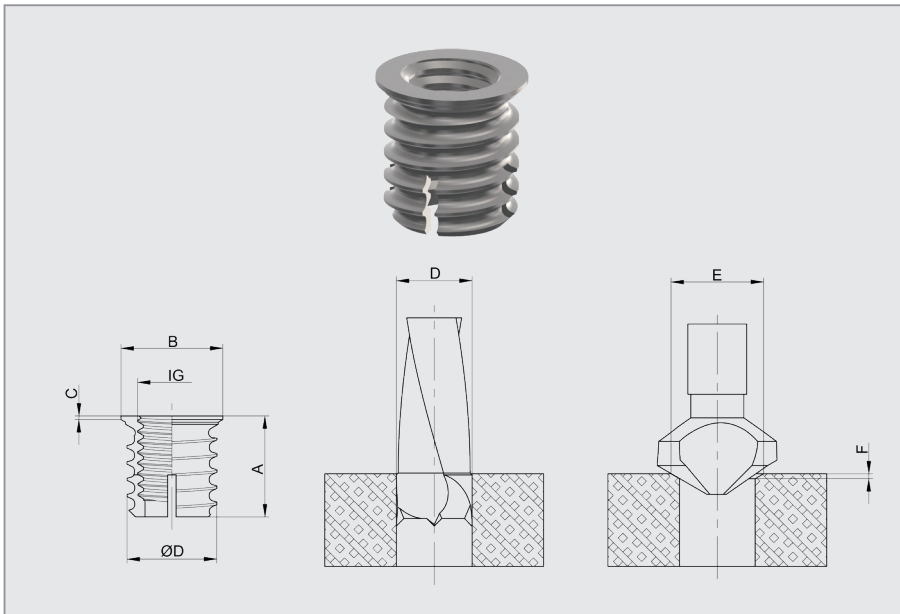


UNIVERSAL

MEBUX®-LW Inserts



The part does not always comply in every detail with the drawing. All measurements in mm.

Product Group C14.02

Features

- The inserts are especially suitable for the application in demanding materials like carbon-fiber reinforced plastic (CFRP)
- There is no need to cut a thread, as the insert is self-tapping. As a result, very high forces can be transmitted
- High backdriving torque, because of the expanding at the end of the installation. The inserts are secure against turning without bonding
- The insert fits tight and secure in CFRP so that the screwing connection can be removed and re-used
- The special geometry of the insert prevents delamination of CFRP
- An installation in workpieces with close distance is possible, due to the countersinking of the insert
- Further dimensions and materials on request

Inserts

IMS Part No.	Internal thread (IG)	ØD	A	B	C	D	E	F	Material	Surface
95070576	M5	9,10	7,60	10,00	1,00	on request	10,50	1,00	1.4305	BL
95070576A	M5	9,10	7,60	10,00	1,00	on request	10,50	1,00	1.4401	BL
95070612	M6	9,10	12,00	10,00	1,00	on request	10,50	1,00	1.4305	BL
95070612A	M6	9,10	12,00	10,00	1,00	on request	10,50	1,00	1.4401	BL
95070812	M8	11,00	12,00	12,10	1,00	on request	12,50	1,00	1.4305	BL
95070812A	M8	11,00	12,00	12,10	1,00	on request	12,50	1,00	1.4401	BL